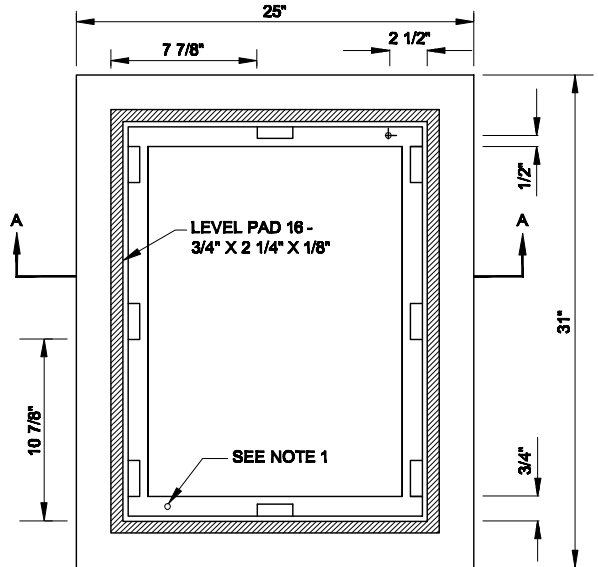
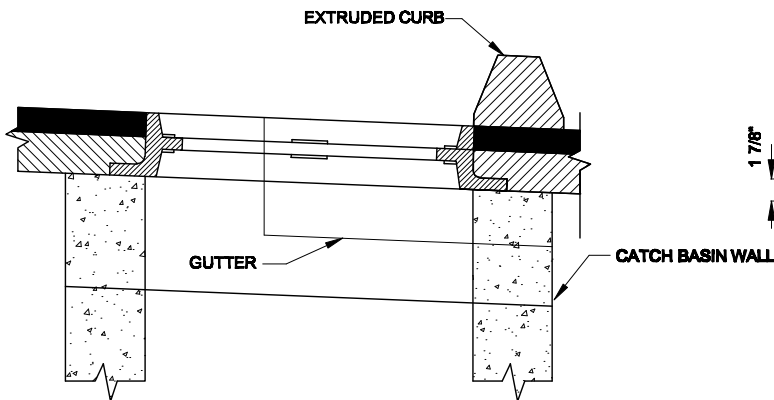


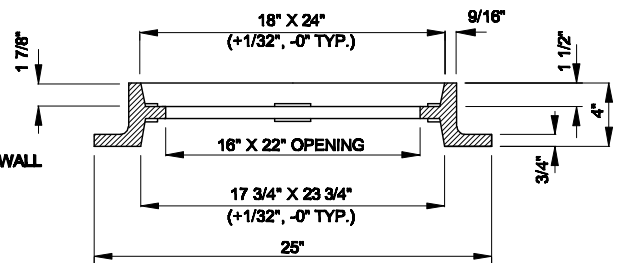
VERTICAL CURB



PLAN



EXTRUDED CURB



SECTION A-A

NOTES:

1. DRILL AND TAP FOR, AND PROVIDE, TWO LOCKING BOLTS 5/8"-11 NC STAINLESS TYPE 304 STEEL SOCKET HEAD (ALLEN HEAD) BOLTS, 2' LONG.
2. FRAME MATERIAL IS CAST IRON PER ASTM A48 CLASS 30 OR BETTER.
3. SET FRAME TO GRADE AND CONSTRUCT ROAD AND GUTTER TO BE FLUSH WITH FRAME.



City of Bremerton

PUBLIC WORKS

DESIGN/CONSTRUCTION STANDARDS

**TYPICAL FRAME AND GRATE
INSTALLATION**

Alteration of this drawing is prohibited. Any approval of an altered drawing is unauthorized and void.

4012

Revision Date
2/6/07