

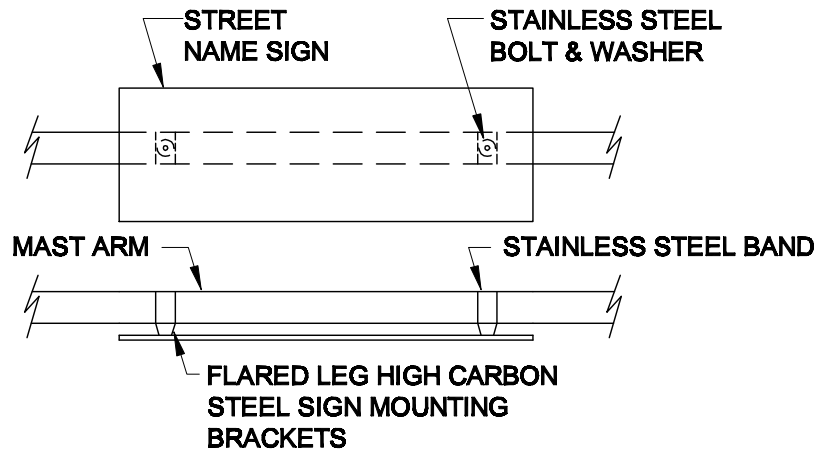


B,S = 12" SERIES D UC  
urwell,t = 9" SERIES D LC (ACTUAL SIZE)

3/4" BORDER  
NO MARGIN



P,A = 12" SERIES D UC  
ark,ve = 9" SERIES D LC (ACTUAL SIZE)



**NOTES**

1. SIGN:  
18" X VARIES EXTRUDED ALUMINUM, TREATED, 0.080 GAUGE
2. BACKGROUND:  
GREEN, 3M DIAMOND GRADE VISUAL IMPACT PERFORMANCE (VIP) SHEETING, 3/4" WHITE BORDER, NO MARGIN
3. COPY: WHITE DIAMOND GRADE TYPE III OR HIGHER VIP CUT-OUT LETTERS OR 3M SCOTCHLITE EC FILM SERIES 1170  
NUMBERS: 12"  
SERIES D UC  
QUADRANT (NE or SE):  
9" SERIES D UC  
DESIGNATION (Ave,St,etc):  
FIRST LETTER 9" SERIES D UC, REMAINING LETTERS 9" SERIES D LC (ACTUAL SIZE ON SIGN)  
SUFFIX (th,st,etc): 9" SERIES D LC (ACTUAL SIZE ON SIGN)
4. CHANGES MUST BE APPROVED BY THE CITY ENGINEER.

**ABBREVIATIONS:**

STREET=	St
AVENUE=	Ave
PLACE=	Pl
WAY=	Way
BOULEVARD=	Blvd
PARKWAY=	Pkwy
LANE=	Ln
COURT=	Ct
DRIVE=	Dr
ROAD=	Rd
KEY=	Key
CONNECTOR=	Conn
CIRCLE=	Cir



**City of Bremerton**

**PUBLIC WORKS**

**ENGINEERING DIVISION**

**STREET NAME SIGN  
MAST ARM MOUNT**

Alteration of this drawing is prohibited. Any approval of an altered drawing is unauthorized and void.

**3254**

Revision Date  
10/12/12