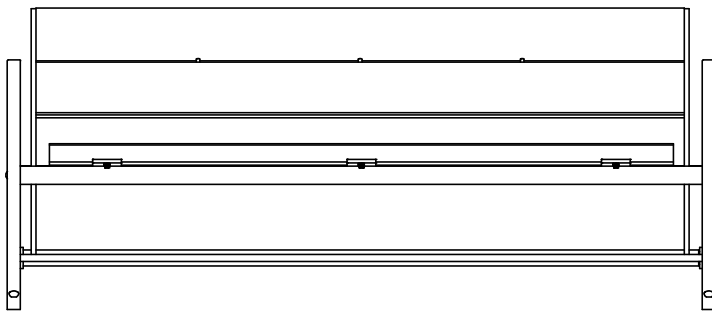
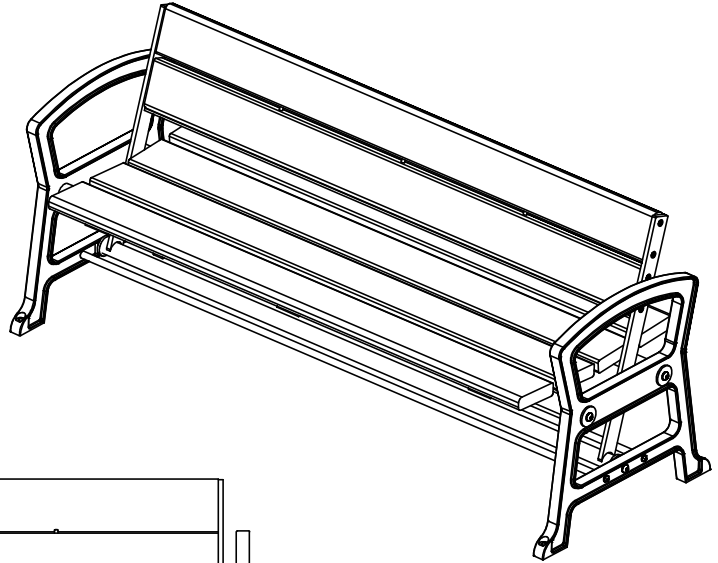
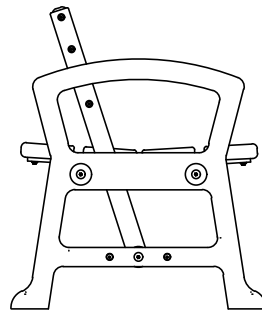




TOP VIEW



FRONT VIEW



SIDE VIEW

NOTES:

1. VENDOR CONTACT:
FAIRWEATHER SITE FURNISHINGS
1540 LEADER INTERNATIONAL DR.
PORT ORCHARD, WA.
PHONE# 360-895-2626
2. BENCH MODEL - THEA FOSS TF-3
3. RECYCLED PLASTIC LUMBER
SHALL BE SUBSTITUTED FOR
WOODEN SEAT AND BACK
SLATS.
4. CUSTOM COLOR
MIDNIGHT BLUE (BREMERTON)
RAL-5011 (SUBSTITUTE)



City of Bremerton

PUBLIC WORKS

ENGINEERING DIVISION

DOWNTOWN BENCH TYPE 3

Alteration of this drawing is prohibited. Any approval of an altered drawing is unauthorized and void.

3453

Revision Date

3/9/16