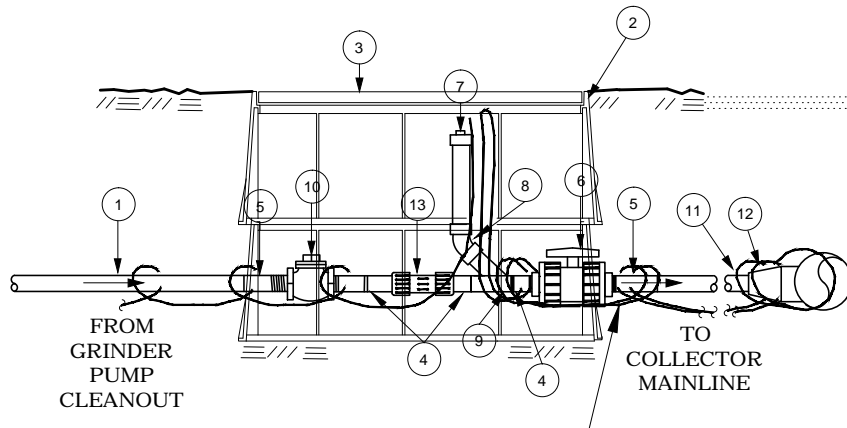


MATERIAL LIST
ALL PVC WILL BE SCHEDULE 80
AND THREADED

1. 1-1/4" POLYETHYLENE PRESSURE PIPE SDR 11
2. CARSON JUMBO BOX (PART #1730) STACKED AS REQUIRED
3. CARSON LID #1730 (MARKED "SEWER")
4. 1 1/4" x 3" NIPPLE PVC (IP OR SLIP)
5. 1 1/4" MPT 316 SS IP x HDPE BUTT FUSION TRANSITION FITTING
6. 1 1/4" UNION BALL VALVE PVC (IPxIP)
7. 1 1/4" FPTxSLIP ADAPTER WITH IP PLUG
8. 1 1/4" 45 ° BENDS (SLIPxSLIP)
9. 1 1/4" WYE (SLIPxSLIP)
10. 1 1/4" BRASS SWING CHECK VALVE (IPxIP)
11. REDUCER SDR11 (SIZE TO SUIT)
12. 1 1/4" COMPRESSION COUPLING




TRACER WIRE INSULATED 12 GAUGE GREEN COATED WIRE (SOLID CORE) TO BE WRAPPED AROUND THE PIPE FROM COLLECTOR MAINLINE AND CONTINUE WIRE TO GRINDER PUMP CLEANOUT (AS SHOWN).

NOTE:

1. CUT-IN CONNECTIONS REQUIRE TRACER WIRES TO BE SPLICED TOGETHER USING 3M 82-A1 SCOTCHCAST KIT
2. FOUR OR MORE STACKED METER BOXES MAY BE REQUIRED FOR DEPTH
3. CARSON BOX SHALL BE MARKED FOR "SEWER".

* STREET USE REQUIRES FOGTITE #2 CONCRETE BOX AND SOLID TRAFFIC BEARING LID (H-20 LOADING) SOLID TRAFFIC BEARING LID (H-20 LOADING) MARKED "SEWER"

COLLECTION VALVE BOX AT PROPERTY LINE OR EDGE OF PAVEMENT

	<p>City of Bremerton</p> <hr style="width: 20%; margin: auto;"/> <p>PUBLIC WORKS</p> <hr style="width: 20%; margin: auto;"/> <p>DESIGN/CONSTRUCTION STANDARDS</p>	<p>COLLECTION VALVE BOX</p> <p>CLEAN-OUT</p> <p>STANDARD DETAIL</p> <p style="font-size: small;">Alteration of this drawing is prohibited. Any approval of an altered drawing is unauthorized and void.</p>	<table border="1" style="width: 100%; border-collapse: collapse;"> <tr> <td style="text-align: center; font-size: large;">6120</td> </tr> <tr> <td style="text-align: center; font-size: small;">Revision Date 03/18/15</td> </tr> </table>	6120	Revision Date 03/18/15
6120					
Revision Date 03/18/15					