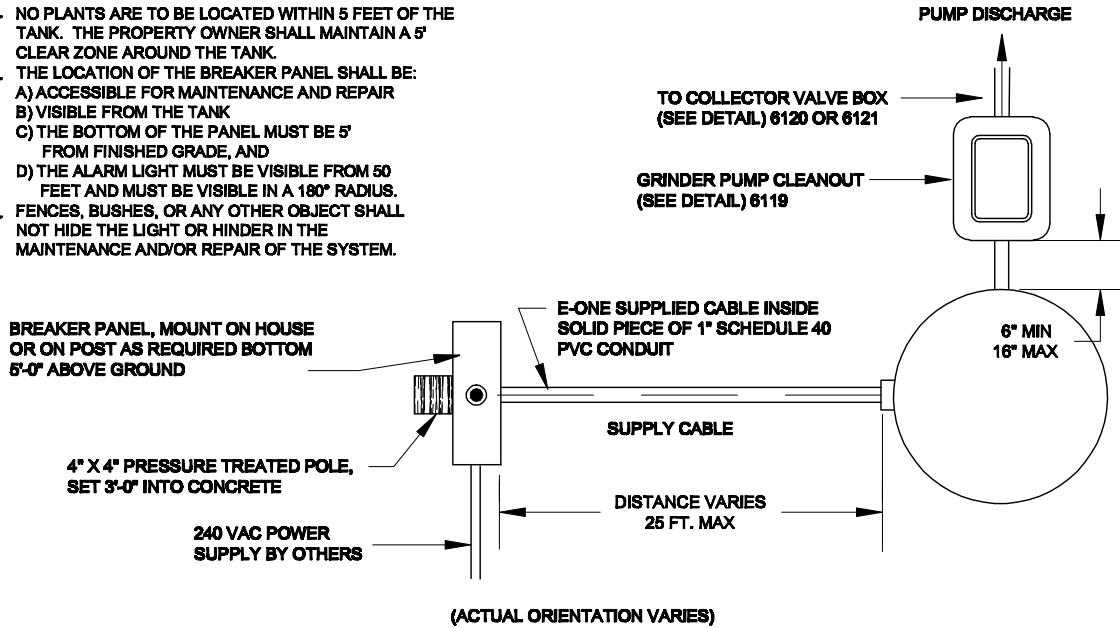


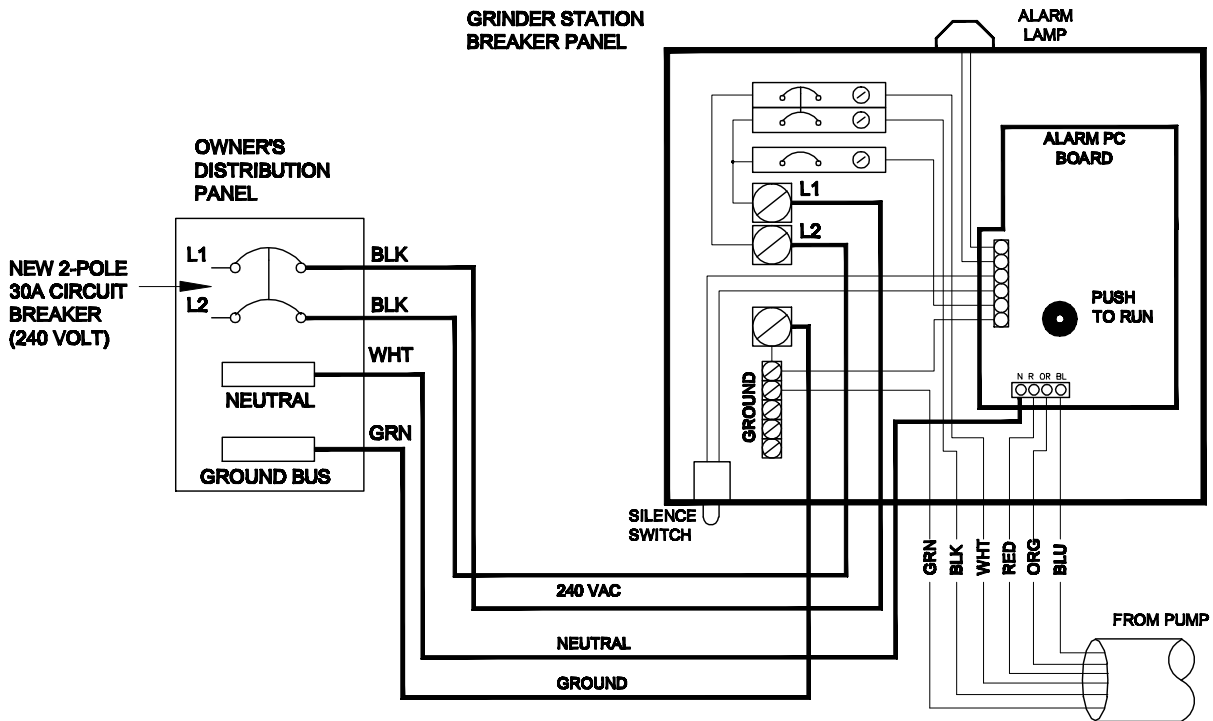
GRINDER PUMP INSTALLATION NOTES:

1. THE TANK LOCATION SHALL BE ACCESSIBLE FOR MAINTENANCE AND REPAIR. TANK COVERS SHALL BE APPROXIMATELY 3" ABOVE FINISHED GRADE. FINISHED GRADE SHALL SLOPE AWAY FROM THE STATION AND ARE NOT TO BE LOCATED WITHIN "POT HOLES".
2. NO PLANTS ARE TO BE LOCATED WITHIN 5 FEET OF THE TANK. THE PROPERTY OWNER SHALL MAINTAIN A 5' CLEAR ZONE AROUND THE TANK.
3. THE LOCATION OF THE BREAKER PANEL SHALL BE:
 - A) ACCESSIBLE FOR MAINTENANCE AND REPAIR
 - B) VISIBLE FROM THE TANK
 - C) THE BOTTOM OF THE PANEL MUST BE 5' FROM FINISHED GRADE, AND
 - D) THE ALARM LIGHT MUST BE VISIBLE FROM 50 FEET AND MUST BE VISIBLE IN A 180° RADIUS.
4. FENCES, BUSHES, OR ANY OTHER OBJECT SHALL NOT HIDE THE LIGHT OR HINDER IN THE MAINTENANCE AND/OR REPAIR OF THE SYSTEM.



(ACTUAL ORIENTATION VARIES)


GRINDER PUMP PLAN



NOTE:

Installation must conform to the regulations of the Department of Labor and Industries, and the National Electric Code. A permit and inspections are required whether the work is performed by the Owner or a contractor.

TYPICAL CIRCUIT DIAGRAM

	<p>City of Bremerton</p> <hr/> <p>PUBLIC WORKS</p> <hr/> <p>DESIGN/CONSTRUCTION STANDARDS</p>	<p>TYPICAL CIRCUIT DIAGRAM</p> <p style="font-size: small;">Alteration of this drawing is prohibited. Any approval of an altered drawing is unauthorized and void.</p>	<p>6102</p> <hr/> <p style="font-size: small;">Revision Date 8/23/10</p>
--	--	---	--