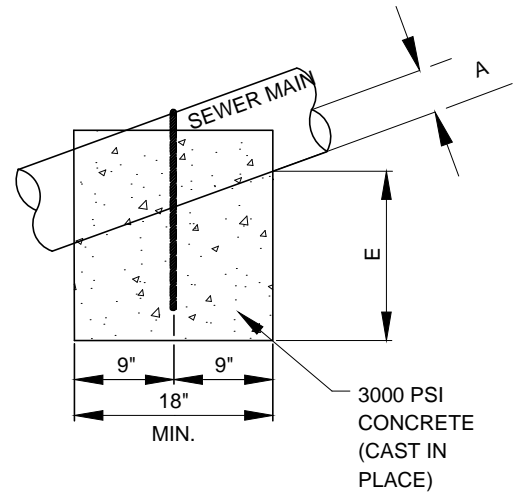
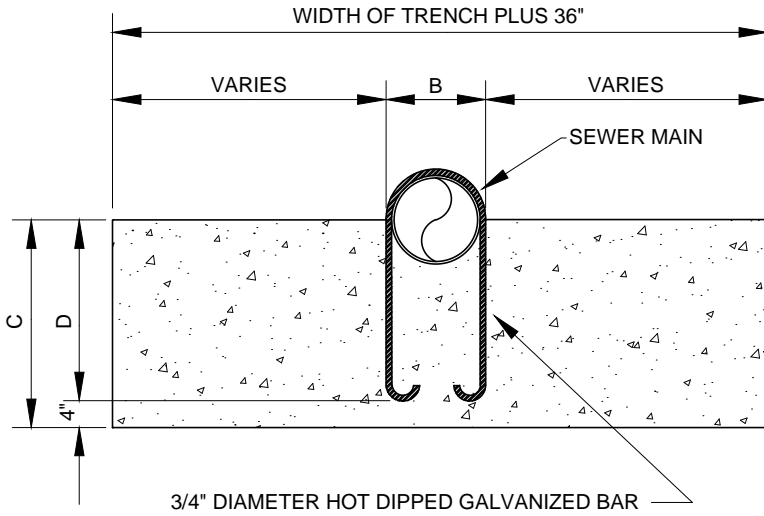



| PIPE SIZE | DIMENSIONS (INCHES) | | | | |
|-----------|---------------------------------|----------------------------------|----|----|----------------------------------|
| | A | B | C | D | E |
| 4" | 2 ³ / ₈ " | 4 ³ / ₄ " | 17 | 13 | 14 ¹ / ₂ " |
| 6" | 3 ¹ / ₂ " | 6 ⁷ / ₈ " | 18 | 14 | 14 ¹ / ₂ " |
| 8" | 4 ¹ / ₂ " | 9 ¹ / ₈ " | 19 | 15 | 14 ¹ / ₂ " |
| 10" | 5 ⁵ / ₈ " | 11 ¹ / ₈ " | 20 | 16 | 14 ³ / ₈ " |
| 12" | 6 ⁵ / ₈ " | 13 ¹ / ₄ " | 21 | 17 | 14 ³ / ₈ " |
| 14" | 7 ³ / ₄ " | 15 ¹ / ₄ " | 22 | 18 | 14 ¹ / ₄ " |
| 16" | 8 ³ / ₄ " | 17 ¹ / ₄ " | 23 | 19 | 14 ¹ / ₄ " |
| 18" | 9 ³ / ₄ " | 19 ¹ / ₄ " | 24 | 20 | 14 ¹ / ₄ " |



NOTES:

- 1) WHEN SLOPES ARE GREATER THAN 20% - PROVIDE CONCRETE SLOPE ANCHORS (20' TO 25' ON CENTER)

| | | |
|--|--|-----------------------------------|
|  <p>City of Bremerton</p> <p>PUBLIC WORKS</p> <p>DESIGN/CONSTRUCTION STANDARDS</p> | <p>SEWER MAIN CONCRETE SLOPE ANCHOR</p> <p>Alteration of this drawing is prohibited. Any approval of an altered drawing is unauthorized and void.</p> | <p>6063</p> |
| | | <p>Revision Date 09/24/14</p> |