



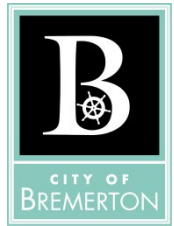
MAYOR'S REPORT

October 4, 2023

BREMERTON
WASHINGTON

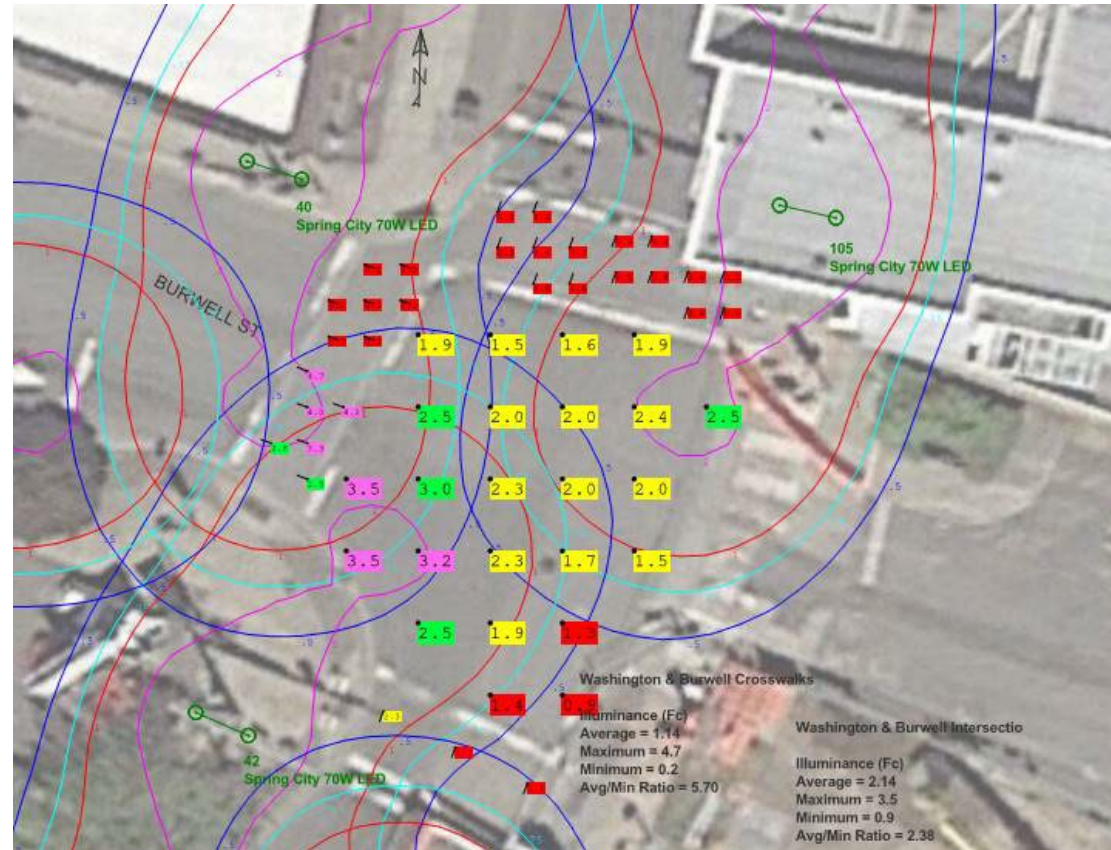


Public Safety - Downtown Lighting Improvement



Project Scope

- 4-year program began in 2020
- Lighting analyzed using software to help identify the watts required at each light fixture
- Approx. 300 fixtures replaced to improve lighting according to lighting standards for streets/sidewalks
- Completed project in September 2023, one year early!

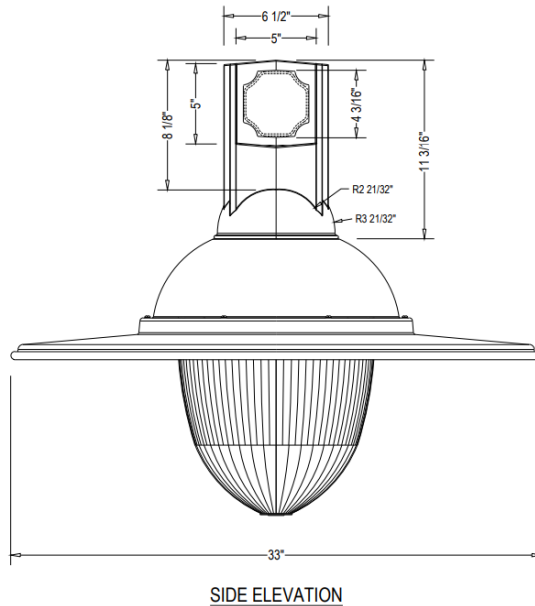


Public Safety - Downtown Lighting Improvement



Project Cost

- The approx. 300 fixtures were replaced on 150 poles with higher output LED. Cost was \$550,000



*Catalog cut of
replacement fixture*

