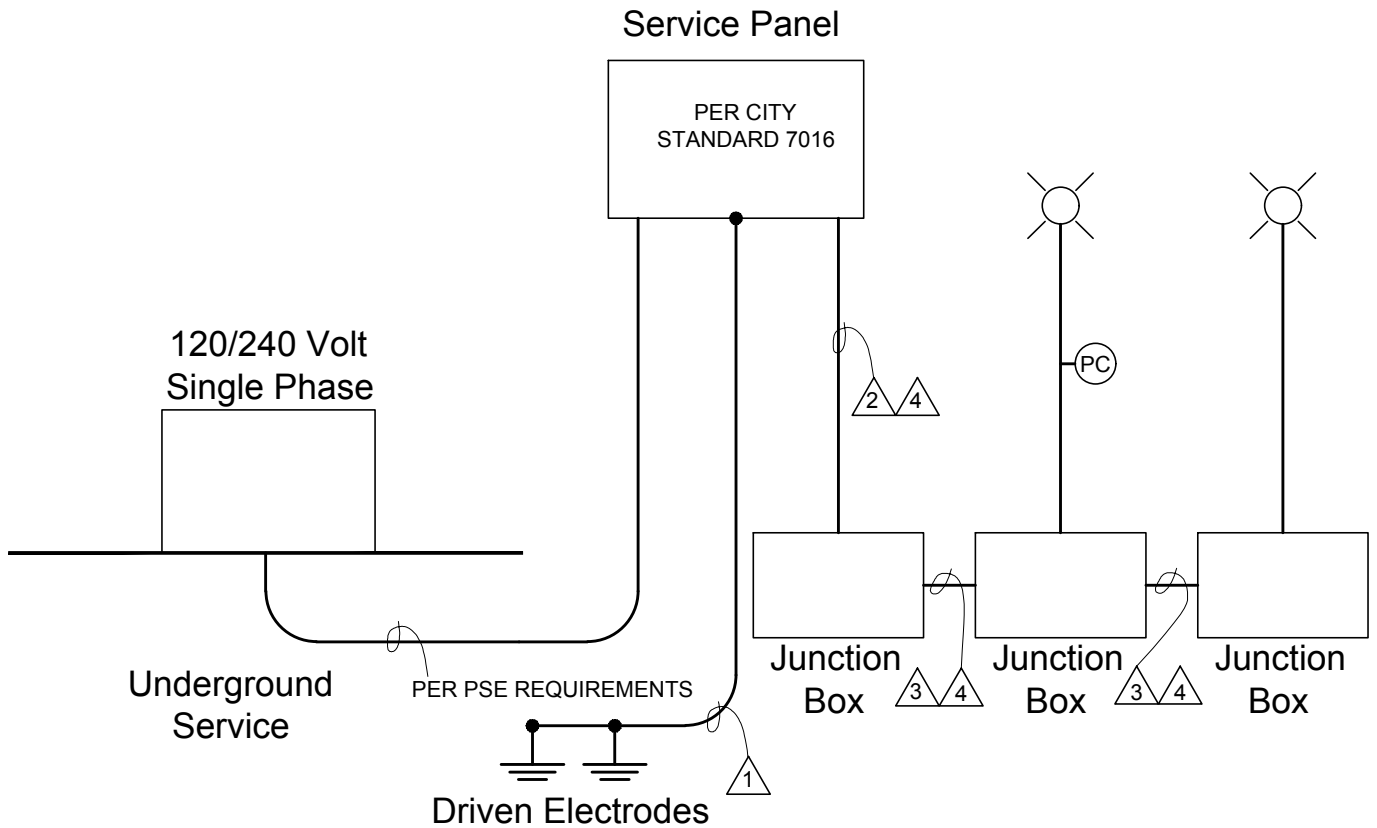



NOTES:

1. IF CONNECTING TO OVERHEAD FOR SERVICE - 1ST 10' OUT OF GROUND TO BE RIGID METAL CONDUIT.
2. ALL SWEEPS AND RISERS TO BE RIGID METAL CONDUIT. ALL OTHER CONDUIT TO BE SCHEDULE 80 PVC.
3. CONDUIT AND CONDUCTOR SIZES ARE TYPICAL AND MAY NEED TO BE ADJUSTED FOR VOLTAGE DROP. ALL CONDUCTORS SHALL BE XHHW COPPER.



CONDUIT WIRING SCHEDULE

RUN	CONDUIT SIZE	ILLUM.	GROUND	SERVICE	NOTES
△ 1	3/4" PVC		1 #6		
2	2" PVC	2 #8 3 #12	1 #8		#12 TO PHOTOCEL
3	1 1/2" PVC	2 #8 3 #12	1 #8		#12 TO PHOTOCEL
4	2" PVC				SPARE

	<p>City of Bremerton</p> <hr/> <p>PUBLIC WORKS</p> <hr/> <p>ENGINEERING DIVISION</p>	<p>TYPICAL CONDUIT RISER</p> <p style="font-size: small;">Alteration of this drawing is prohibited. Any approval of an altered drawing is unauthorized and void.</p>	<table border="1" style="width: 100%; border-collapse: collapse;"> <tr> <td style="text-align: center; font-size: large;">7018</td> </tr> <tr> <td style="text-align: center; font-size: small;">Revision Date</td> </tr> <tr> <td style="text-align: center; font-size: small;">1/17/18</td> </tr> </table>	7018	Revision Date	1/17/18
7018						
Revision Date						
1/17/18						