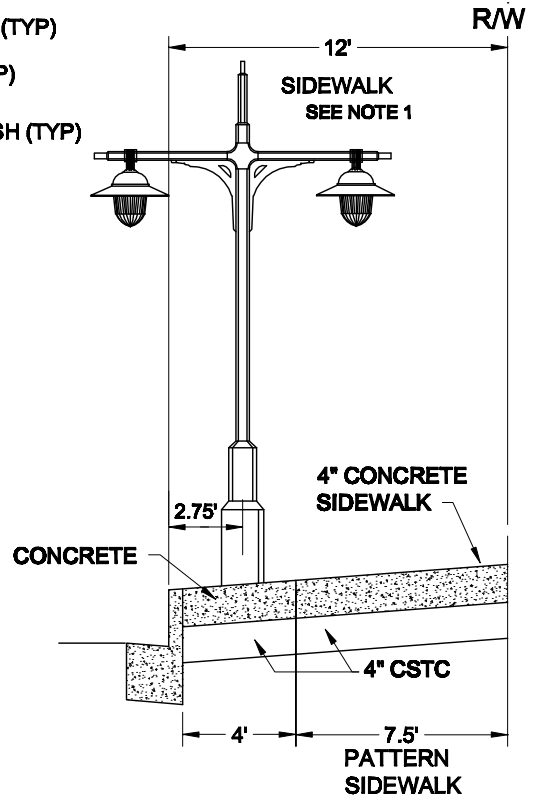
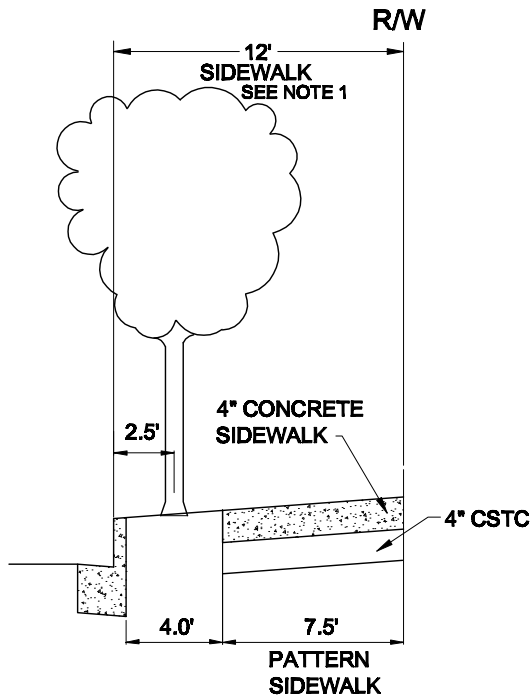


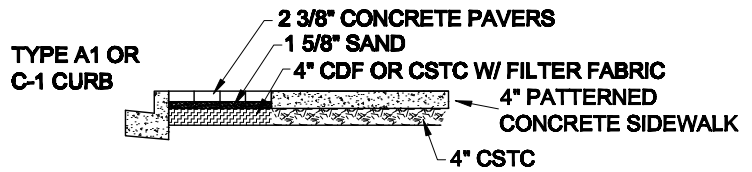
TREE & STREET LIGHT LAYOUT
NTS



SECTION B-B



SECTION A-A



SECTION C-C

NOTES:

1. SIDEWALK WIDTH MAY VARY BASED ON AVAILABLE RIGHT-OF-WAY
2. SEE STANDARD DRAWING 3101 FOR GENERAL SIDEWALK REQUIREMENTS AND JOINT DETAILS
3. BRICK PAVERS, SHALL BE SUBSTITUTED FOR CONCRETE PAVERS WHEN DIRECTED BY THE CITY ENGINEER

B
CITY OF BREMERTON

City of Bremerton

PUBLIC WORKS

ENGINEERING DIVISION

DOWNTOWN SIDEWALK

Alteration of this drawing is prohibited. Any approval of an altered drawing is unauthorized and void.

3102

Revision Date
2/08/12