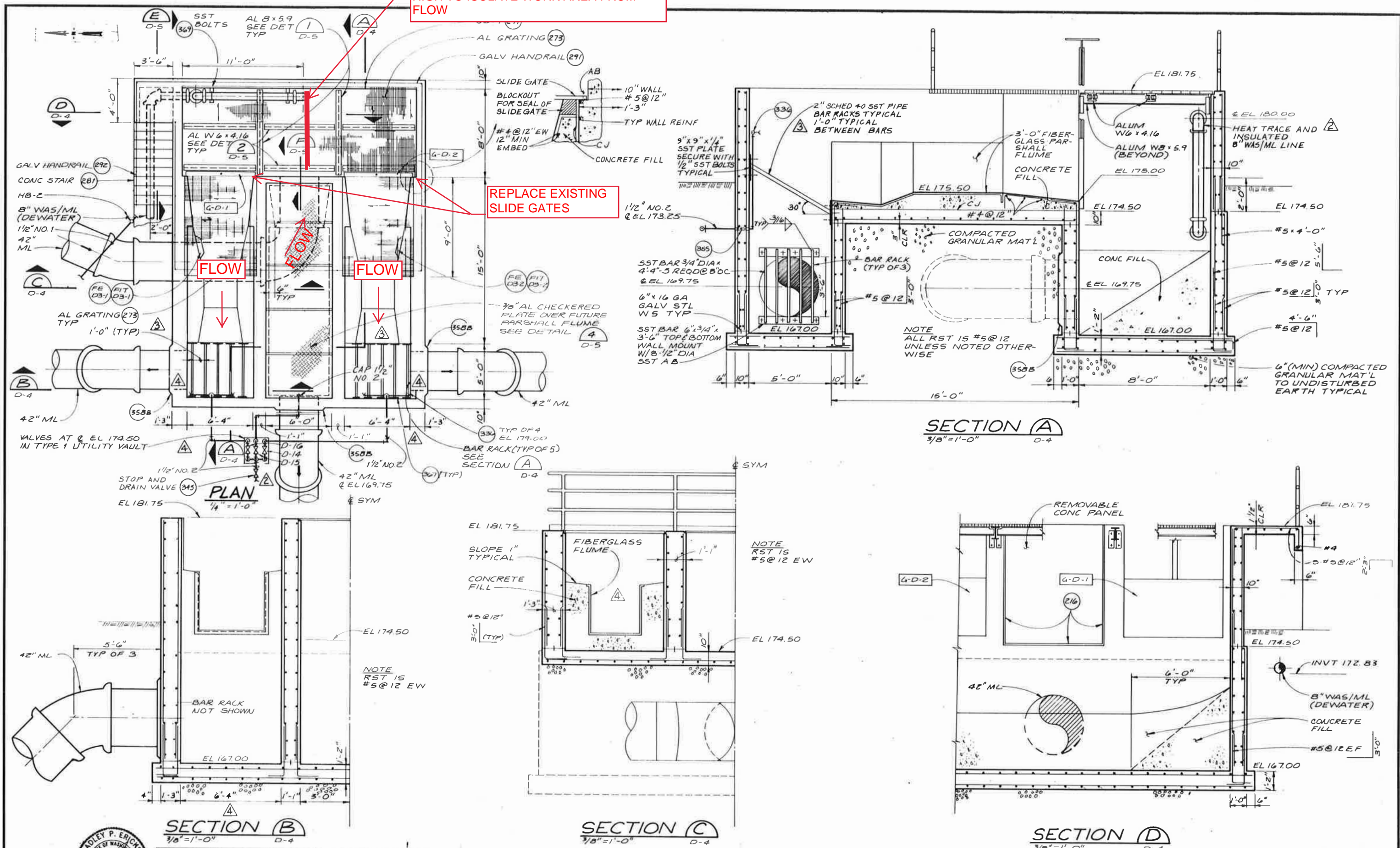


CONSTRUCT BYPASS DAM, APPROX. 7 FT HIGH TO ISOLATE WORK AREA FROM FLOW

REPLACE EXISTING SLIDE GATES



SECTION (B)  
3/8"=1'-0" D-4

SECTION (C)  
3/8"=1'-0" D-4

SECTION (D)  
3/8"=1'-0" D-4



DES. MLH	10-18-85	RECORD DRAWING	TMS	TMS
DR. CMB	11-8-85	CHANGE ORDER #21	TMS	TMS
CHK. JS	7-6-85	CHANGE ORDER #20	TMS	TMS
APPD. JGG	6-17-85	CHANGE ORDER #19	JBA	JBA
	4-1-83	ISSUED FOR BIDDING	DTR	DTR
	NO.	DATE	BY	APPD.

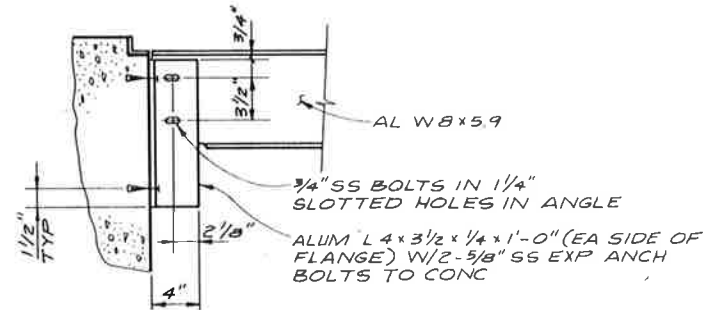
**RECORD DRAWINGS**

THESE RECORD DRAWINGS HAVE BEEN PREPARED, IN PART, ON THE BASIS OF INFORMATION COMPILED BY OTHERS. THEY ARE NOT INTENDED TO REPRESENT IN DETAIL THE EXACT LOCATION, TYPE OF COMPONENT NOR MANNER OF CONSTRUCTION.

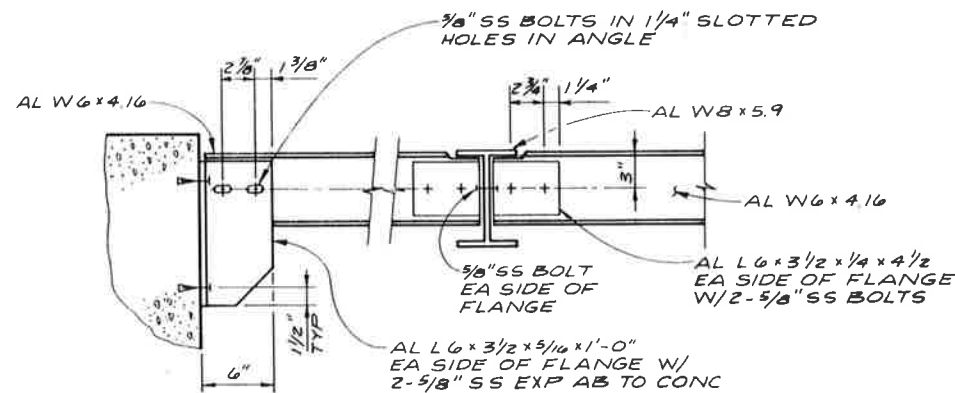
CITY OF BREMEROTON, WASHINGTON  
SECONDARY TREATMENT PLANT  
CONTRACT C1, SCHEDULE B

SECONDARY CLARIFIER INFLUENT SPLITTER BOX  
STRUCTURAL AND MECHANICAL  
PLAN AND SECTIONS

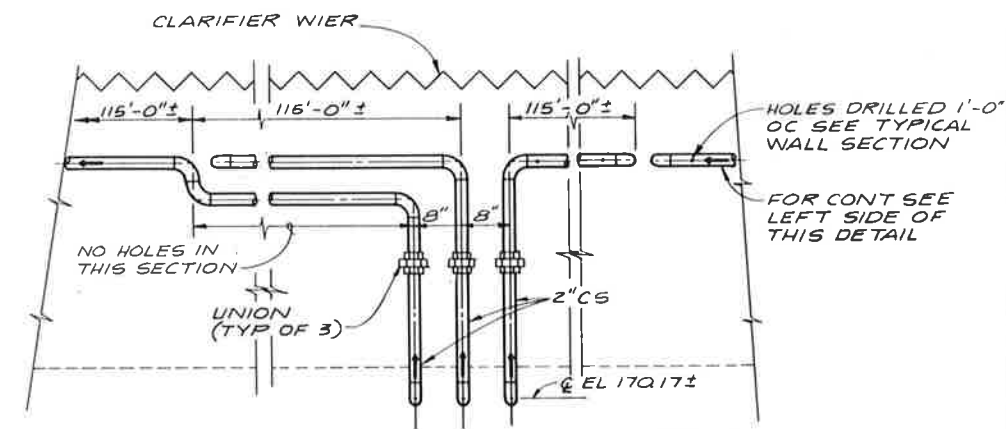
DWG NO.	D-4
SH.	56 OF 134
DATE	JULY 81
FILE NO.	S 12400.T1



**DETAIL 1**  
1 1/2" = 1'-0" D-4

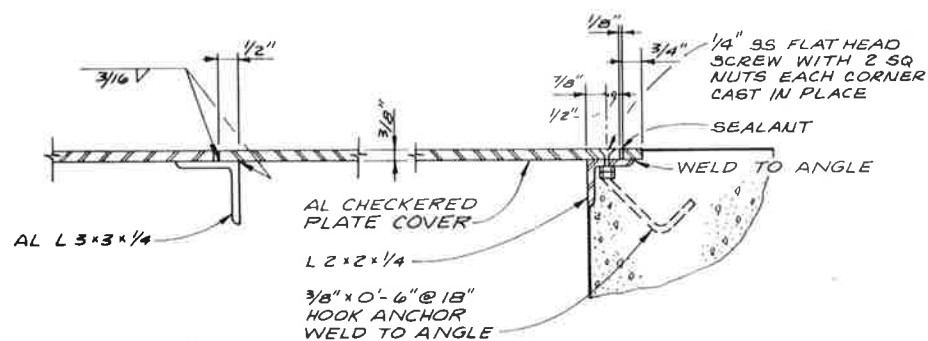


**DETAIL 2**  
1 1/2" = 1'-0" D-4

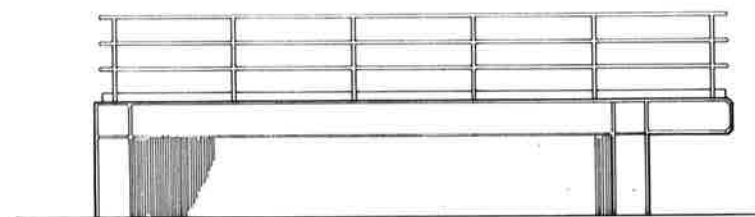


NOTE: THIS COMPOSITE DETAIL SHOWS THE CHLORINE DIFFUSER PIPING ON THE CLARIFIER INSIDE WALL

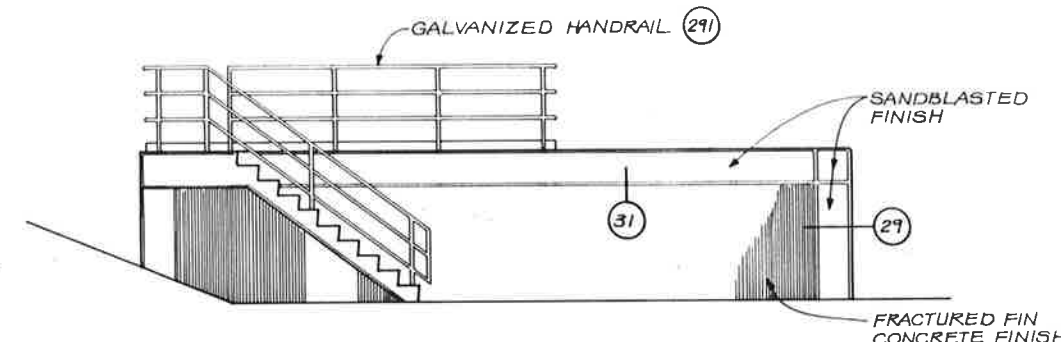
**DETAIL 3**  
3/4" = 1'-0" D-1 D-2



**DETAIL 4**  
NTS D-5

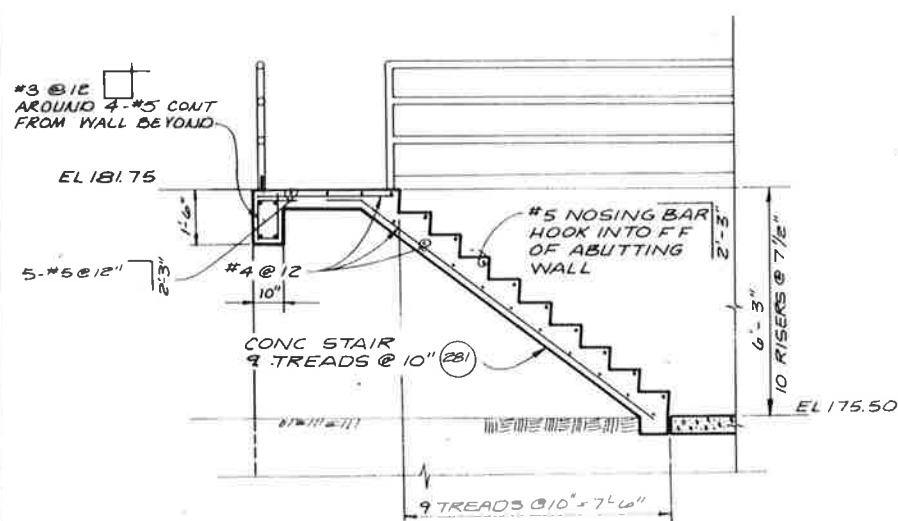


**EAST ELEVATION**

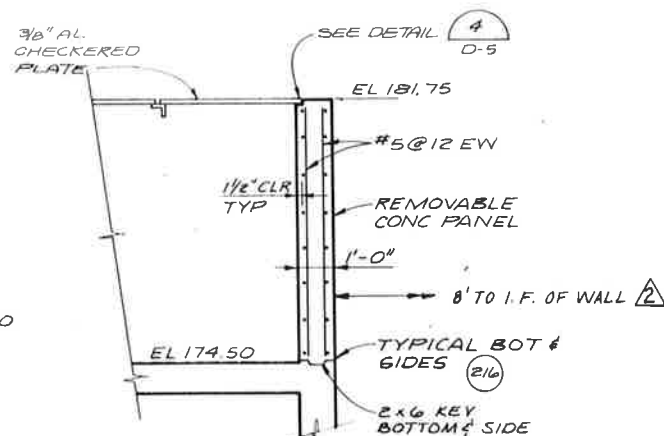


**NORTH ELEVATION**

**SPLITTER BOX**  
1/4" = 1'-0"



**SECTION E**  
1/8" = 1'-0" D-4



**SECTION F**  
3/8" = 1'-0" D-4



**NORTH ELEVATION**

**WEST ELEVATION**

**DEWATERING PUMP STATION**  
1/4" = 1'-0"



CH2M HILL

DES.	MLH	NO.	DATE	REVISION	TMS	TMS
DR.	CMB	10-18-85	11-8-85	RECORD DRAWING	TMS	TMS
CHK.	JS/JJP	4-1-83		CHANGE ORDER #21		
APPD.	JGG			ISSUED FOR BIDDING	DIR	DIR
					BY	APPD.

**RECORD DRAWINGS**

THESE RECORD DRAWINGS HAVE BEEN PREPARED, IN PART, ON THE BASIS OF INFORMATION COMPILED BY OTHERS. THEY ARE NOT INTENDED TO REPRESENT IN DETAIL THE EXACT LOCATION, TYPE OF COMPONENT NOR MANNER OF CONSTRUCTION.

CITY OF BREMERTON, WASHINGTON  
SECONDARY TREATMENT PLANT  
CONTRACT C1, SCHEDULE B

SECONDARY CLARIFIER (INFLUENT SPLITTER BOX)  
STRUCTURAL, ARCHITECTURAL, AND MECHANICAL  
ELEVATIONS, SECTIONS AND DETAILS

DWG. NO. D-5  
SH. 56 OF 134  
DATE JULY 81  
FILE NO. S.12400.11