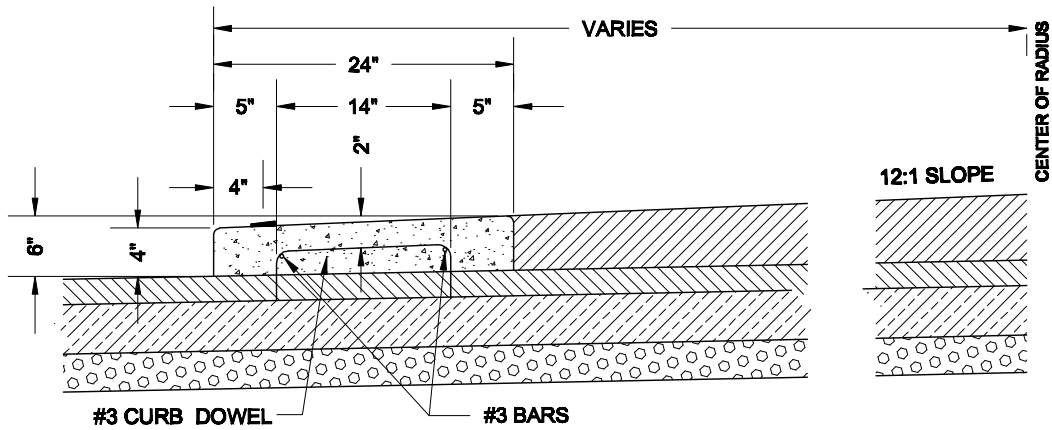
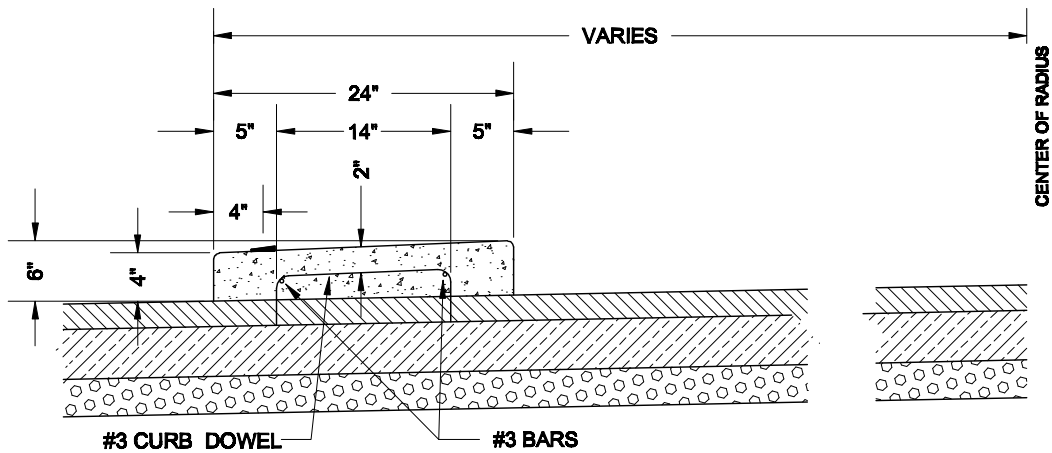


**OPTION 1 CROSS SECTION
CURBING W/TOP SOIL BACKFILL**



**OPTION 2 CROSS SECTION
CURBING W/ASPHALT BACKFILL**



**OPTION 3 CROSS SECTION
CURBING ONLY**