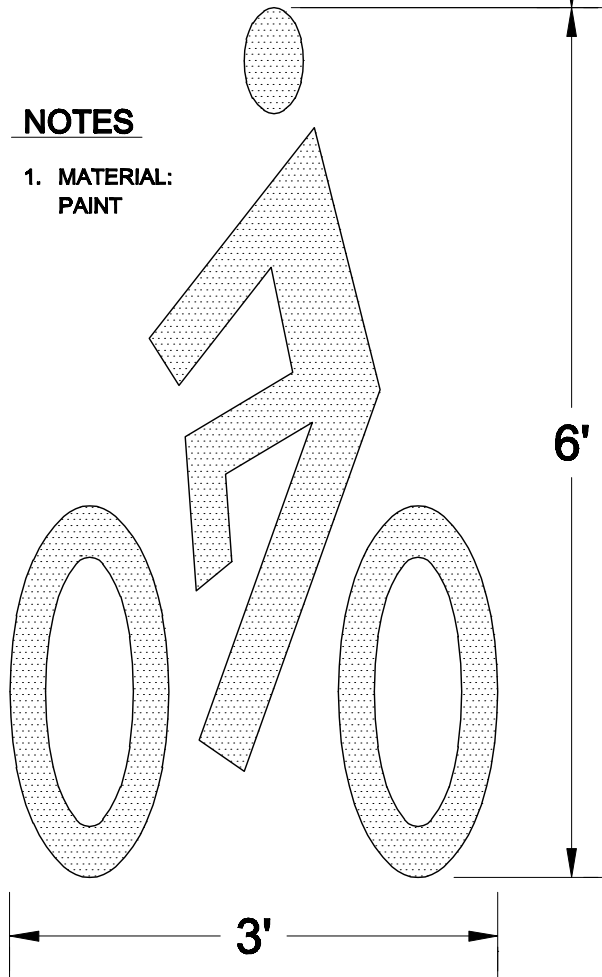


2'-1"

NOTES

- 1. MATERIAL:
PAINT



City of Bremerton

PUBLIC WORKS

ENGINEERING DIVISION

BICYCLE LANE MARKINGS

Alteration of this drawing is prohibited. Any approval of an altered drawing is unauthorized and void.

3258

Revision Date
8/15/08