

CONCRETE & DUCTILE PIPE

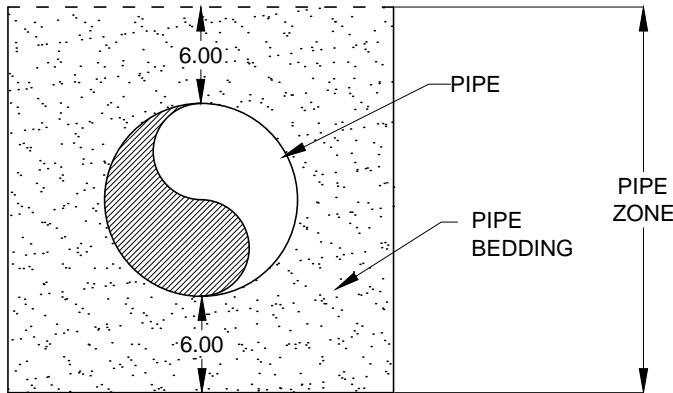
NOTE:

- 1) CONCRETE PIPE SHALL BE BEDDED TO SPRING LINE.
- 2) PIPE SHALL BE BEDDED AND INSTALLED PER WSDOT STANDARD SPECIFICATIONS SECTION 7-08.

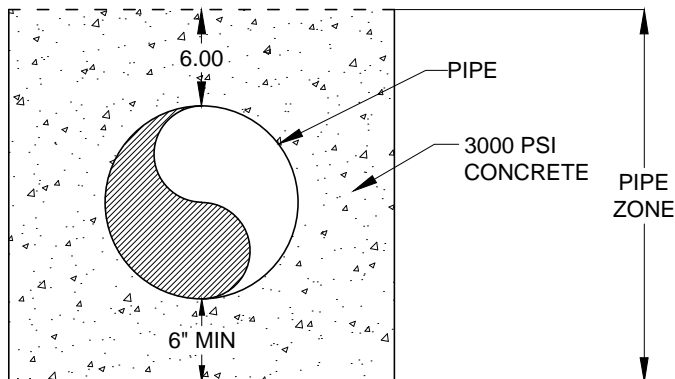
PIPE BEDDING

WHEN PIPE BEDDING IS REQUIRED, REFERENCE WSDOT 9-03.12.3

COMPACTION IN PIPE ZONE SHALL BE 90% OF MAXIMUM DENSITY. LOOSE LAYERS OF 6" OR LESS SHALL BE CAREFULLY COMPACTED. BACKFILL SHALL BE BROUGHT UP SIMULTANEOUSLY ON EACH SIDE OF PIPE TO TOP OF PIPE ZONE.



PVC PIPE



CONCRETE ENCASEMENT



City of Bremerton

PUBLIC WORKS

DESIGN/CONSTRUCTION STANDARDS

**STORMWATER
PIPE ZONE DETAIL**

Alteration of this drawing is prohibited. Any approval of an altered drawing is unauthorized and void.

4081

Revision Date
10/06/15