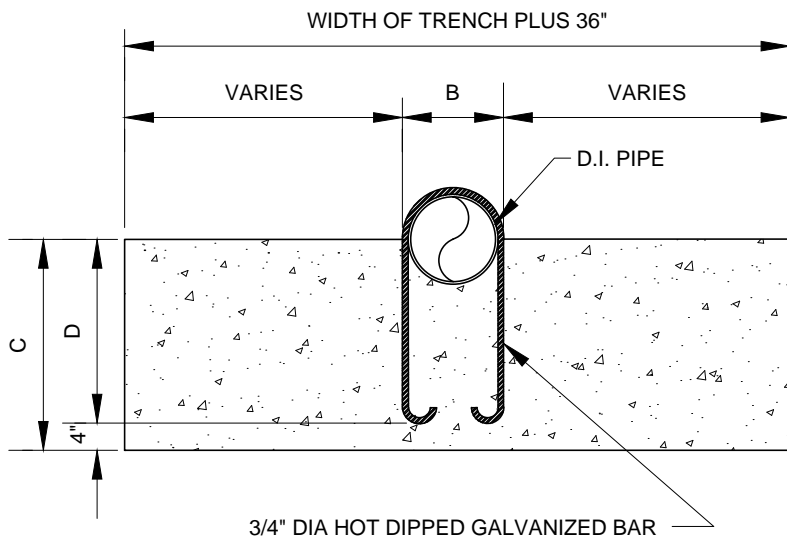
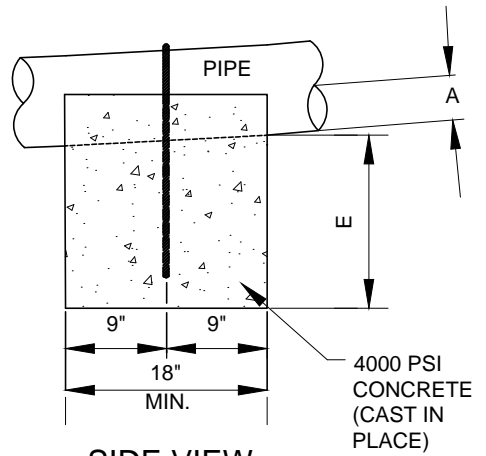


PIPE SIZE	DIMENSIONS (INCHES)				
	A	B	C	D	E
4"	2 <sup>3</sup> / <sub>8</sub> "	4 <sup>3</sup> / <sub>4</sub> "	17	13	14 <sup>1</sup> / <sub>2</sub> "
6"	3 <sup>1</sup> / <sub>2</sub> "	6 <sup>7</sup> / <sub>8</sub> "	18	14	14 <sup>1</sup> / <sub>2</sub> "
8"	4 <sup>1</sup> / <sub>2</sub> "	9 <sup>9</sup> / <sub>8</sub> "	19	15	14 <sup>1</sup> / <sub>2</sub> "
10"	5 <sup>5</sup> / <sub>8</sub> "	11 <sup>1</sup> / <sub>8</sub> "	20	16	14 <sup>3</sup> / <sub>8</sub> "
12"	6 <sup>5</sup> / <sub>8</sub> "	13 <sup>1</sup> / <sub>4</sub> "	21	17	14 <sup>3</sup> / <sub>8</sub> "
14"	7 <sup>3</sup> / <sub>4</sub> "	15 <sup>1</sup> / <sub>4</sub> "	22	18	14 <sup>1</sup> / <sub>4</sub> "
16"	8 <sup>3</sup> / <sub>4</sub> "	17 <sup>1</sup> / <sub>4</sub> "	23	19	14 <sup>1</sup> / <sub>4</sub> "
18"	9 <sup>3</sup> / <sub>4</sub> "	19 <sup>1</sup> / <sub>4</sub> "	24	20	14 <sup>1</sup> / <sub>4</sub> "

PLAN




PROFILE



SIDE VIEW

SLOPES > 20% - PROVIDE CONCRETE SLOPE ANCHORS (20'-25' O.C.)

 <p><b>City of Bremerton</b></p> <p><b>PUBLIC WORKS</b></p> <p><b>DESIGN/CONSTRUCTION STANDARDS</b></p>	<p><b>PIPE SLOPE ANCHORS</b></p> <p>Alteration of this drawing is prohibited. Any approval of an altered drawing is unauthorized and void.</p>	<p><b>4090</b></p>
		<p>Revision Date 10/6/15</p>