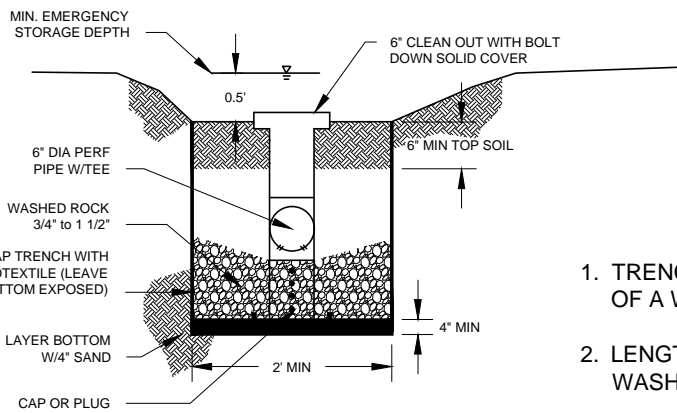
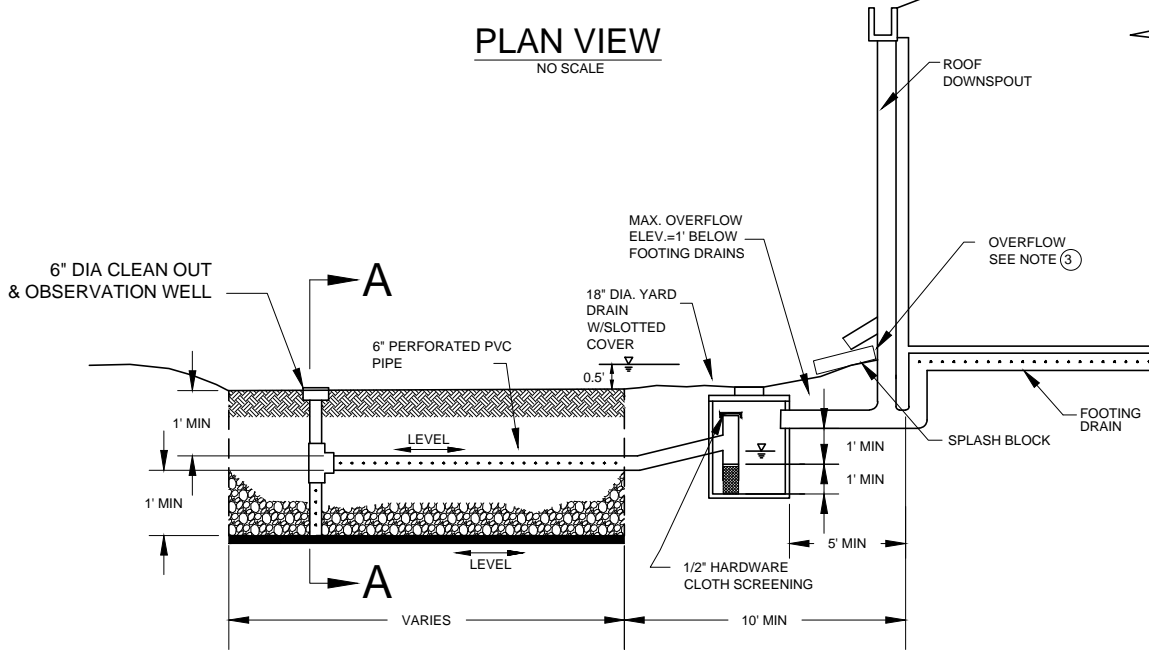


PLAN VIEW
NO SCALE



SECTION A-A

NO SCALE

1. TRENCH SHALL NOT BE LOCATED WITHIN 30' OF A WELL OR ANY PART OF A SEPTIC SYSTEM.
2. LENGTH OF TRENCH TO BE DETERMINED BY WASHINGTON LICENSED ENGINEER.
3. IF SOLID LID IS USED ON THE SUMP A OVERFLOW NEEDS TO BE INSTALLED.

PROFILE VIEW

NO SCALE



City of Bremerton

PUBLIC WORKS

DESIGN/CONSTRUCTION STANDARDS

**TYPICAL RESIDENTIAL
INFILTRATION SYSTEM**

Alteration of this drawing is prohibited. Any approval of an altered drawing is unauthorized and void.

4070

Revision Date

11/9/15